

All-In-One POS Terminal K8 Technical Description



Bozz Technology (Shenzhen) Co., Ltd.

Release version: V1.1

Date: May 27, 2020

AIO POS K8



1. Application scenarios

It is applicable to hotels, shopping malls, supermarket, fruit stores, fresh food stores, restaurants, transportation, beauty salons and other places etc.

2. Product features

- Wide dynamic binocular camera, accurate and fast identification, efficient infrared light compensation (Optional) ;
- Support the deployment of public network and LAN, 4G communication module is optional;
- Multiple screen size combinations are available;
- Dual screen rotatable with multi-angle.

3. Product Specification Sheet

Android dual screen intelligent desktop cash register				
Model		K8		
Screen	Size	12.1 inch TN ,14 inch IPS, 15.6 inch IPS		
	Resolution	12.1" (1600*900) 14" (1920*1080) 15.6" (1920*1080)		
Camera (Optional)	Type	Color	IR (optional)	
	Resolution	200MP	130MP	
Basic specifications	OS	Android 7.1, can be updated to android 10/11 for bulks		
	CPU	Quad Core 1.8GHz & Mail T764 GPU		
	Memory	2G DDR+8G EMMC Options:16G/64G EMMC		
	Power supply	DC 12V/3A		
	Consumption	15W Max		
	Relative humidity	0%-90% (In the state of uncondensed water droplets)		
	Working temps	0°C ~ 40°C		
	Storage temps	-20°C ~ 60°C		
	Working environment	Indoor		
	Size of device	267mm*264.9mm*350.5mm		
	Interface	USB A *4		
		RJ45 LAN port*1		
		Micro-USB debugging port*1		
		DC-in*1		
		3.5mm earphone jack*1		
		RJ11*1		
		SIM card slot*1 (optional for 4G)		
		Micro TF card slot*1, Max 64G		
	Speaker	3W*1		
	NFC	NFC card reader (optional)		
WIFI	2.4G support IEEE 802.11 b/g/n			
BT	Support BT4.2			
4G Network	Optional: Custom purchase is required			
Package Data	Weight	6.4Kg		
	Size	430mm*440mm*265mm		

4. K8 Illustration

4.1 12.1"+12.1" dual-screen



4.2 12.1"+14" dual-screen



4.3 14”+14” dual-screen

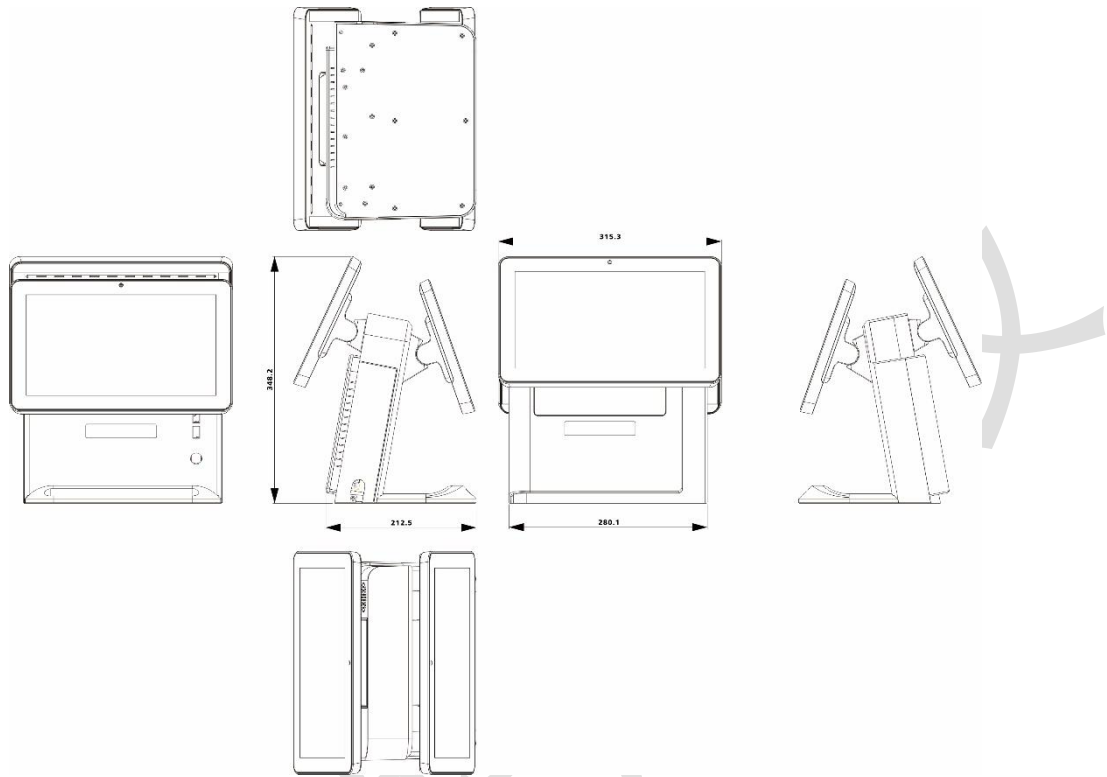


4.4 15.6”+15.6” dual-screen

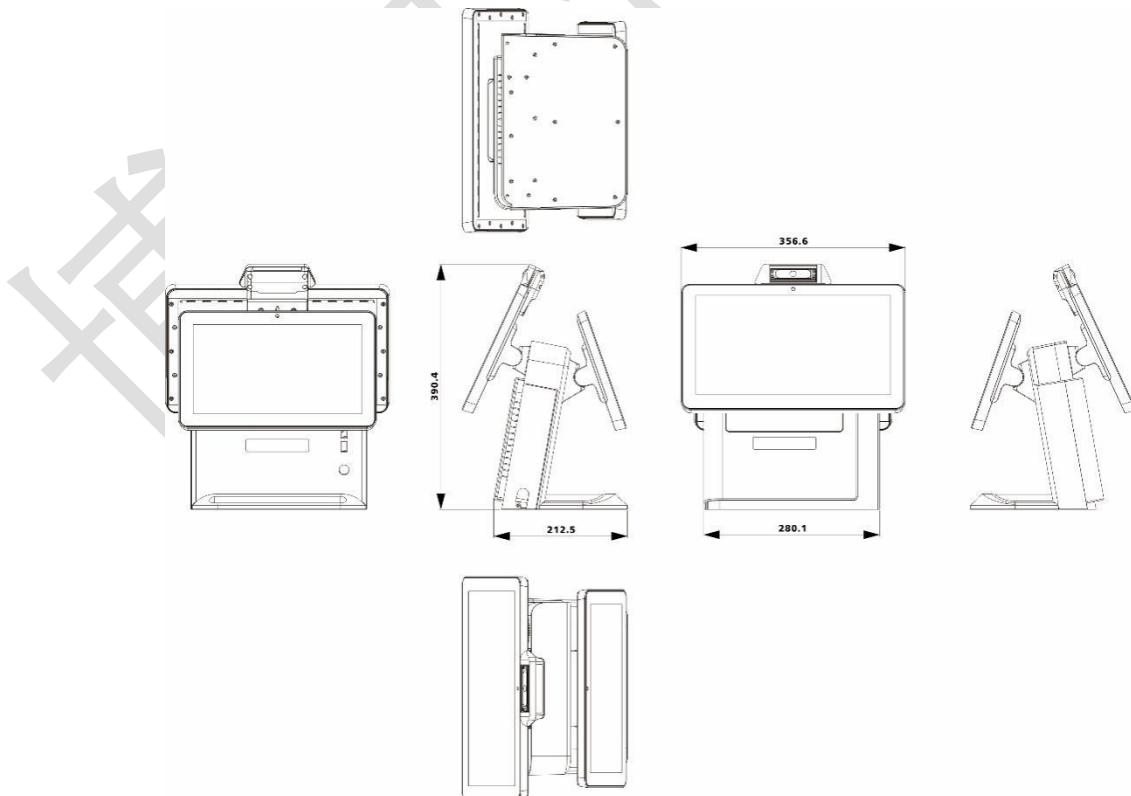


5. Overall dimensions of K8 POS terminal

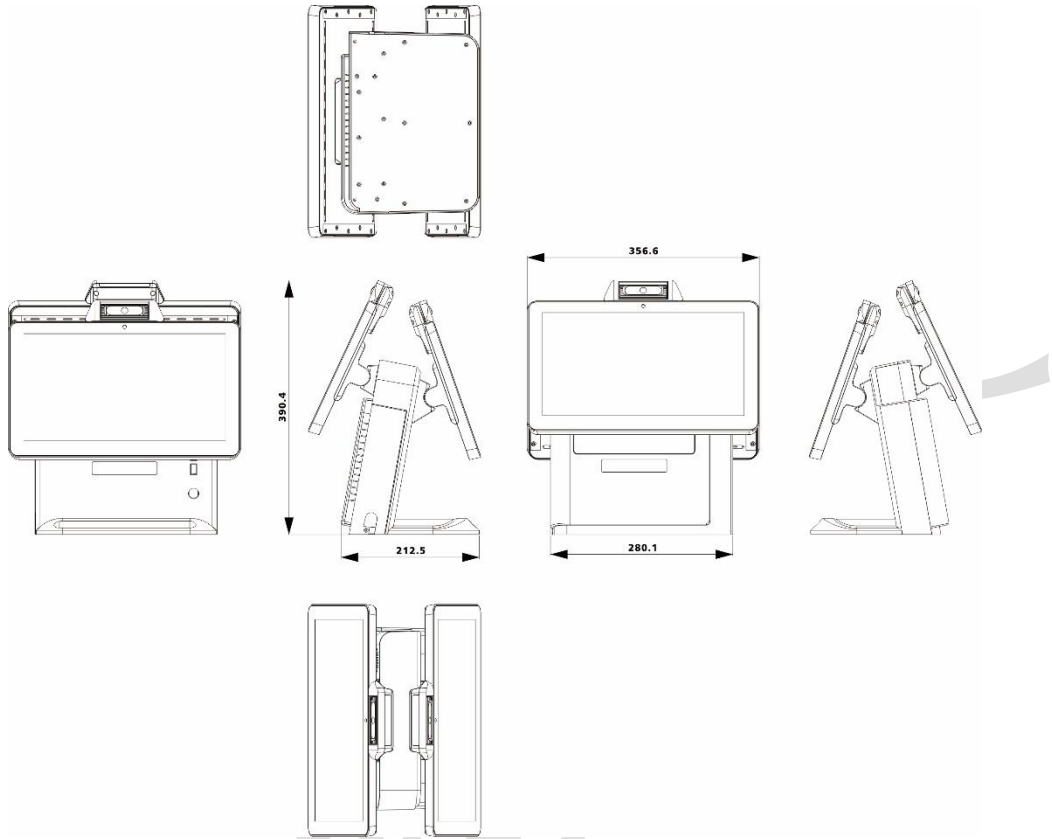
5.1 12.1" dual-screen shape and size (348.2mm*315.3mm*212.5mm)



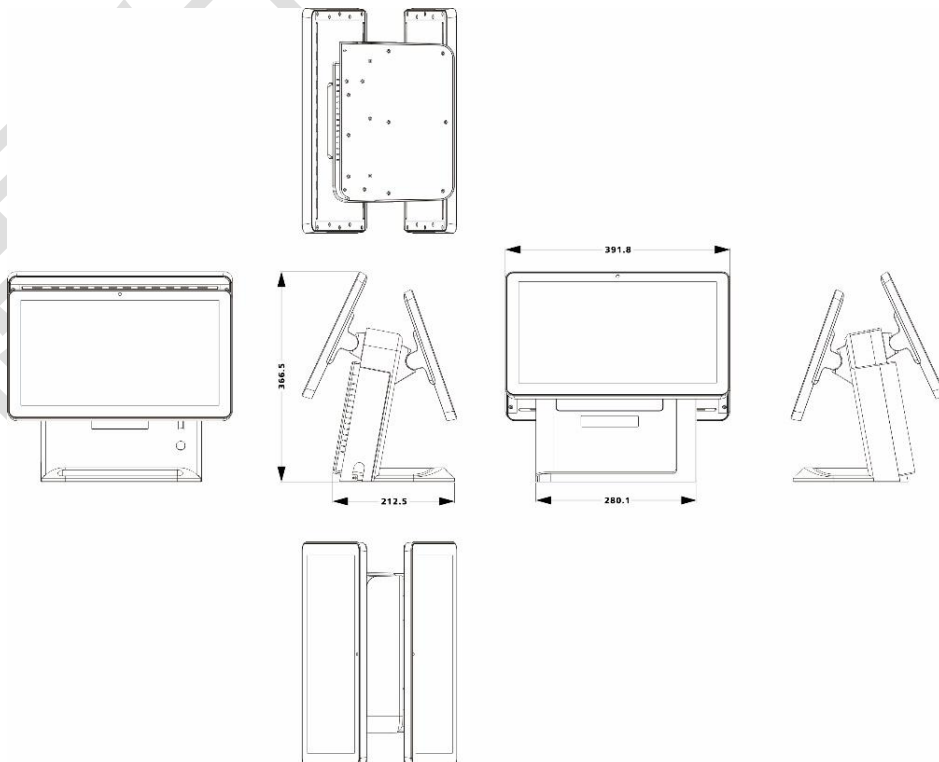
5.2 12.1"+14" dual-screen shape and size (390.4mm*356.6mm*212.5mm)



5.3 14"+14"dual-screen shape and size (390.4mm*356.6mm*212.5mm)



5.4 15.6"+15.6"dual-screen shape and size (379.7mm*264.9mm*350.5mm)



6. Appearance Description of K8



7. Product packaging and instructions

(1) List of materials/tools

NO	Materials/Tools	Quantity	Description
1	Host machine and its accessories	1	Accessories include: 12V power adapter, power adapter, desiccant, inspection certificate, etc.
2	Network cable (optional: outsourcing required)	Some	Used to arrange Ethernet and other remaining cabling
3	Network cable pliers, network tester, diagonal pliers, electrical tape, wire clips (optional: outsourcing required)	Some	Used to arrange Ethernet and other remaining cabling

(2) Installation note

A. During actual wiring, if the 12V power supply wire of the host does not use "Special power extension cable" and the distance is long, resulting in excessive equivalent resistance of the cable, it is easy to have insufficient terminal voltage ($\leq 11V$), system repeated restart /crash and other abnormal phenomena.

B. The installation environment must not be wet to avoid strong electricity and strong electromagnetic field. Such as electromagnetic appliances, mobile phones and other electrical appliances that could be moved at will should be kept far away from the equipment as possible.

C. This product is a precision device, of which the collision, drop, and vibration should be avoided, thus to avoid the falling of the main board components or the damage of the camera, which may lead to functional or performance problems of the product.

D. The device has its own power adapter, with a total length of 1.8m.

- ✓ The extension power cable shall not exceed 3m, otherwise it will lead to the abnormal phenomena, such as insufficient voltage supply, repeated system restarts or system crash etc.
- ✓ If use other adapters, such as 9V and 1A, are used, will cause insufficient voltage and too low current, and the equipment will be restarted repeatedly.
- ✓ The cables used should not be too thin (such as network cables). It is recommended to connect multiple strands of the same cable in parallel or use cables with copper cores thickened to ensure that the voltage is greater than 11V.
- ✓ Note: If use network cable, 4 strands of network cable shall be used as positive pole and 4 strands as negative pole for extension cable.
- ✓ If you do not know how to extend the cable, please contact the supplier to replace the "special power extension cable".