

All-in-one POS PF1011 Product Description



Bozz Technology (Shenzhen) Co., Ltd.

Version: V1.0

Date: 2020.03.03



1. Application scenarios

Suitable for supermarkets, food markets, hotels, fruit shops, schools, restaurants, logistics, lottery, pharmacy and other places that need to use cash register.

2. Features

- Wide dynamic binocular camera (optional) for precise and fast recognition, efficient infrared compensation;
- Support NFC card reader (optional) ;
- Support deployment methods for public and local area networks, with optional 4G communication modules;
- Support code scanner;
- Support for external keyboards(optional).

3. Product specification sheet

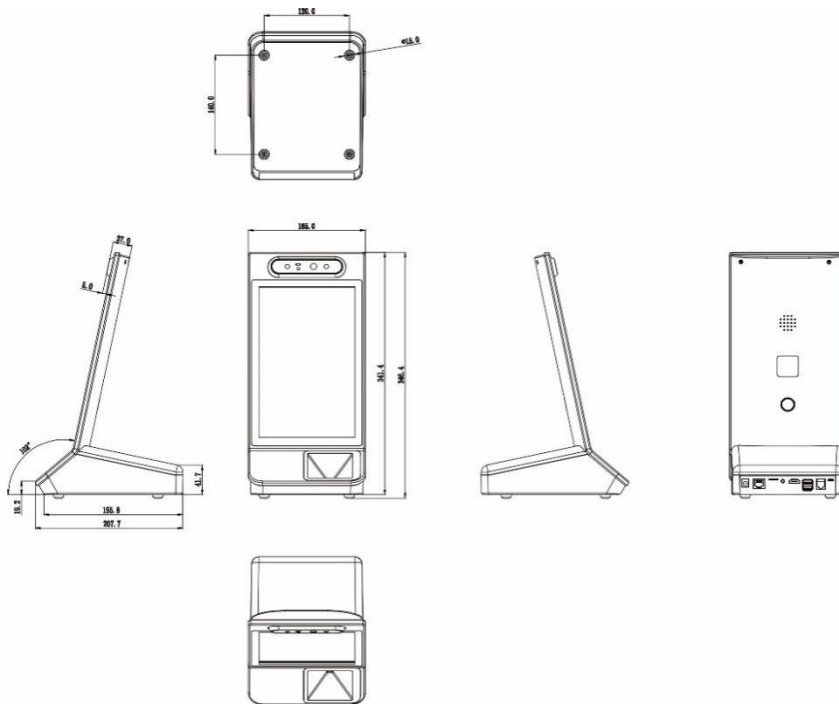
Android dual screen intelligent desktop cash register				
Model		PF1011		
Screen	Size	10.1" Full angle of view		
	Resolution	1280*800		
Camera (optional)	Type	Color	IR (optional)	
	Resolution	2.0MP	2.0MP	
Basic specifications	OS	Android 7.1, up to android 11 for bulks		
	CPU	RK3399 A72*2+ A53*4 1.8GHz & Mail T860		
	Memory	4G DDR+8GEMMC Options: 16G/32G/64G EMMC		
	Power supply	12V/2A		
	Consumption	13.2W Max		
	Relative humidity	0%-90% (In the state of uncondensed water droplets)		
	Working temps	0°C ~ 45°C		
	Storage temps	-20°C ~ 55°C		
	Working environment	Indoor		
	Size of device	346.4mm*207.7mm*165.0mm		
	Interface	USB Type-A *2		
		RJ45 LAN*1		
		Micro-USB debugging port*1		
		DC-in*1		
		3.5mm earphone jack*1		
		RJ11*1		
		SIM card slot*1 (option for 4G)		
		Support Micro TF card slot, Max to 64GB		
	Speaker	2W*2		
	External keyboard	Support (optional)		
	NFC Card Reader	Support (optional)		
	WIFI	2.4G support IEEE 802.11 b/g/n		
	BT	Support BT2.1/3.0/4.0/4.2		
Communication mode	4G Network(Optional: Custom purchase is required)			
Code Scanner	Support categories	one-dimensional, two-dimensional, mobile screen, and printed barcodes		
	Scanning distance	2-18mm		
	Recognition speed	15 times/s		
Package Data	Weight	2.9Kg		
	Size	386*291*192mm		

4. PF1011 Pictures

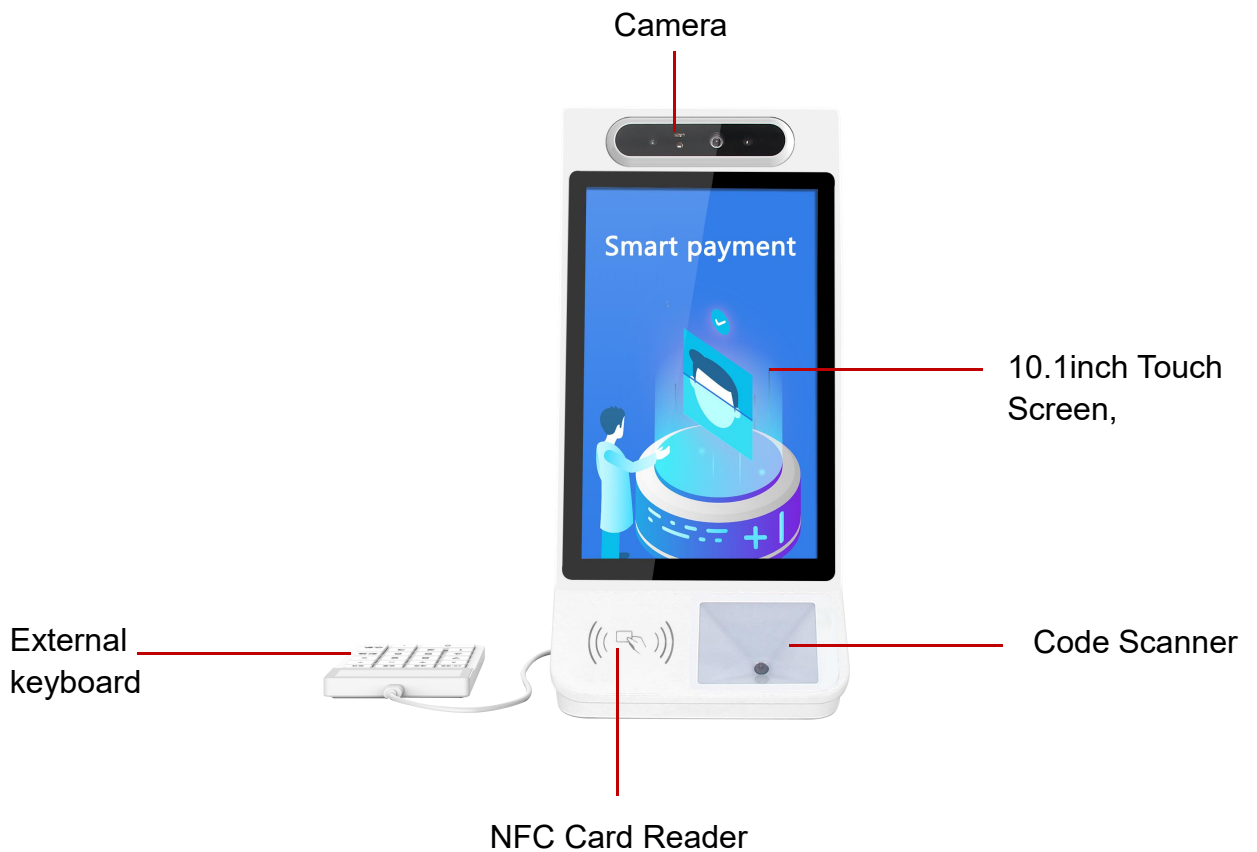


5. Overall dimensions of PF1011

346.4mm*207.7mm*165.0mm



6. Appearance Description



7. Product packaging and instructions

(1) List of materials/tools

NO	Materials/Tools	Quantity	Description
1	Host machine and its accessories	1	Accessories include: 12V power adapter, desiccant, inspection certificate, etc.
2	Network cable (optional: outsourcing required)	Some	Used to arrange Ethernet and other remaining cabling
3	Network cable pliers, network tester, diagonal pliers, electrical tape, wire clips (optional: outsourcing required)	Some	Used to arrange Ethernet and other remaining cabling

(2) Installation note

A. During actual wiring, if the 12V power supply wire of the host does not use "Special power extension cable" and the distance is long, resulting in excessive equivalent resistance of the cable, it is easy to have insufficient terminal voltage ($\leq 11V$), system repeated restart /crash and other abnormal phenomena.

B. The installation environment must not be wet to avoid strong electricity and strong electromagnetic field. Such as electromagnetic appliances, mobile phones and other electrical appliances that could be moved at will should be kept far away from the equipment as possible.

C. This product is a precision device, of which the collision, drop, and vibration should be avoided, thus to avoid the falling of the main board components or the damage of the camera, which may lead to functional or performance problems of the product.

D. The device has its own power adapter, with a total length of 1.8m.

- ✓ The extension power cable shall not exceed 3m, otherwise it will lead to the abnormal phenomena, such as insufficient voltage supply, repeated system restarts or system crash etc.
- ✓ If use other adapters, such as 9V and 1A, are used, will cause insufficient voltage and too low current, and the equipment will be restarted repeatedly.
- ✓ The cables used should not be too thin (such as network cables). It is recommended to connect multiple strands of the same cable in parallel or use cables with copper cores thickened to ensure that the voltage is greater than 11V.

Note: If use network cable, 4 strands of network cable shall be used as positive pole and 4 strands as negative pole for extension cable.

- ✓ If you do not know how to extend the cable, please contact the supplier to replace the "special power extension cable".